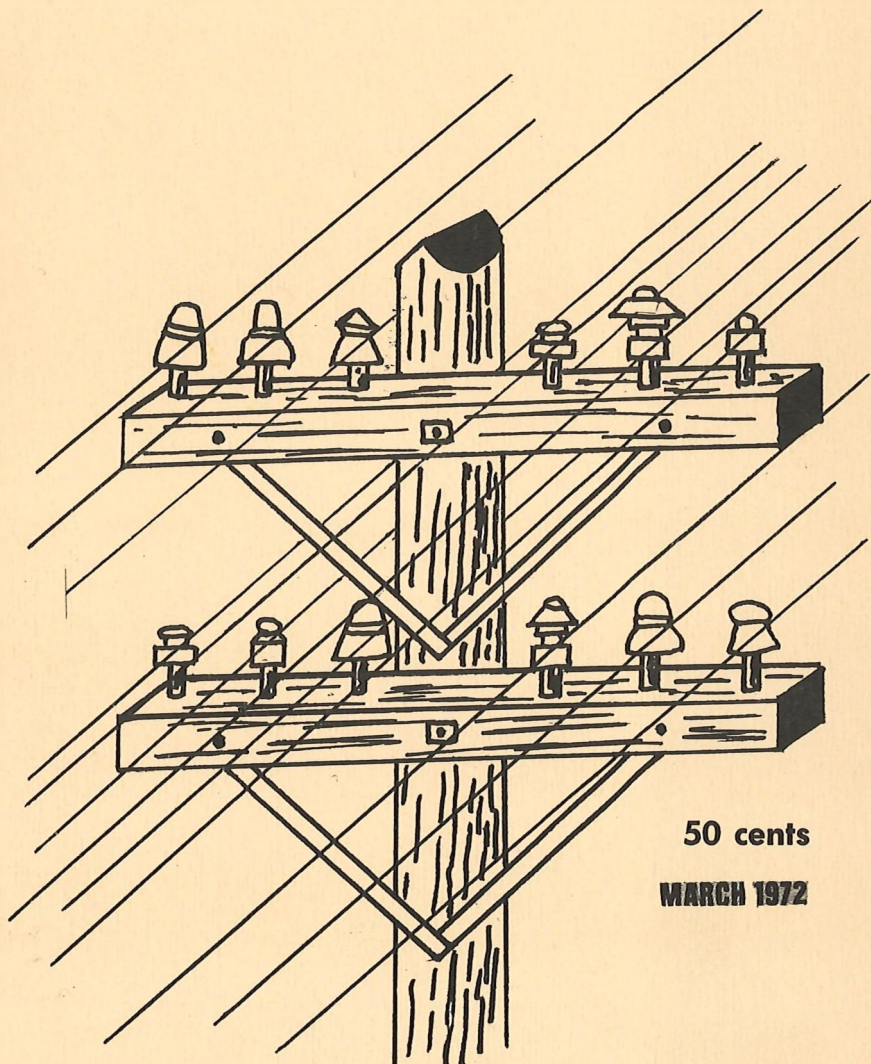


CROSS ARMS

*an eastern
insulator collectors'
magazine*



50 cents

MARCH 1972

367 Signal Hill Road
King of Prussia, Pa. 19406

Vol. 1, No. 2

March, 1972

Editor James Garrity
Photography Carmine DeMenna
Production Catherine, Amelia, Mary Alice Garrity

Copyright 1972 by CROSS ARMS

This journal is protected by copyright and no part of it may be reproduced in any manner without written permission from the publisher.

TABLE OF CONTENTS

	Page
Baron, The	22
Cable Pictures	15
CD of the Month	12
Classified Ads	23
Know Your Collector	9
Letters to the Editor	21
Lightning Rod Pictures	17
Market News	19
New Club	5
Rate Page	20
Shows & Swaps	3
Table of Contents	1
Telegraph Insulators	6
Thanks	2

CD of the month for March is the 441.

THANKS !

Our first issue went into the Post Office on the first of February, and the response from the insulator collectors has been most gratifying. We have received many letters congratulating us on our efforts and wishing us well on our endeavor.

I want to take this time to thank everyone that is putting forth such an effort to see that CROSS ARMS becomes the latest and best word in insulator collecting.

We still need pictures and articles. If you have any information concerning insulators let us know. We want to pass it on to the rest of our readers. We would also like to know what you are interested in reading about.

In this issue we are starting a new section called "Know your Collector". Since I cannot visit everyone we would be glad to have you share your collection with our readers. We would like to have one full view of the entire collection or as much as would still make a nice picture, and several close-up pictures of your "prides". We would prefer black and white pictures.

We are pleased to announce that the "Emminger" has been assigned a CD number of CD 441. Our thanks to Mr. Mickey Dutcher of Cortland, N. Y. (who at the time was being visited by Mr. Milholland) for the information. The decision was made following a phone call between Mr. Woodward and Mr. Milholland. We will be featuring the CD 441 as our insulator of the month for April.

SHOWS AND SWAPS

APRIL 8-9

The First Eastern National Insulator Meet. 8 A. M. to 6 P. M. in Ithaca High School Cafeteria, Ithaca, N. Y. Room for 80+ tables. The rates are \$8 for 1 day; \$15 for both days (not refundable). The "Crown Jewels" ribbon will be awarded. Gerald and Esta Brown from Colorado will be there to award a ribbon for the best pottery insulator display. The show will furnish an armed guard Sat. night, also a lunch counter and door prizes. Door's will open to the public at 9 A. M. and admission will be \$.50. Contracts are available from the sponsors of the event, Brad & Nancy Cook, 507 Ridge Road, Ludlowville, N. Y. 14862. Phone 1-607-533-7515 or send a S. A. S. E. to CROSS ARMS and we will gladly forward a copy of the contract to you.

APRIL 15-16

There will be a bottle Show & Sale at the Cavalier Hotel, Virginia. Contact: Mr. W. M. Stucker, P. O. Box 3061, Portsmouth, Va. 23701.

APRIL 16

Yankee Polecats Insulator Club will hold a combination club meeting & swap meet in Mendon, Mass., at the American Legion Hall on Rt. 16. Anyone interested can contact Gert Wyer, 29 Franklin Rd., Cromwell, Conn. 06416. This is the clubs first meet so all you Yankee Polecats drop Gert a line and make arrangement to attend.

M A Y 7

Pennsylvania Bottle Collector's Association Antique Bottle Show & Sale, Sunday, May 7, from 9 A. M. to 6 P. M. Show will be held in the heart of Penna. Dutch Country at the "Guernsey Barn", five miles east of Lancaster, Penna. on Route U. S. 30. Although this show is a bottle show, they usually have at least 4 insulator collectors there. At this time I personally know of 3 insulator collectors that will be there. Show information can be acquired by contacting Clyde O. Garber, Berlin Road, New Oxford, Penna. 1-717-624-4411.

M A Y 15

South Jersey Heritage Bottle and Glass club will be holding a show and sale at St. Catherine's Social Hall, North & Delsea Dr., Rt. 47, Clayton, N.J. For information contact Sam Baker, 1138 Lindberg Drive, Deptford, N.J. 08096.

M A Y 19 - 20

A Show & Sale in the Richmond Area, Eastgate Shopping Center, Richmond, Virginia. Contact: Thomas E. Goodrich. 1611 Debbie Lane, Richmond, Va. 23222.

M A Y 21

A Show & Sale by the Finger Lakes Bottle Club Assoc. will be held. Contact: P.O. Box 815, Ithaca, N. Y. 14850

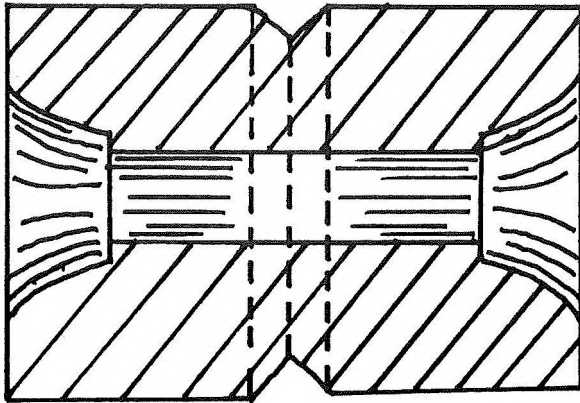
NEW INSULATOR CLUB

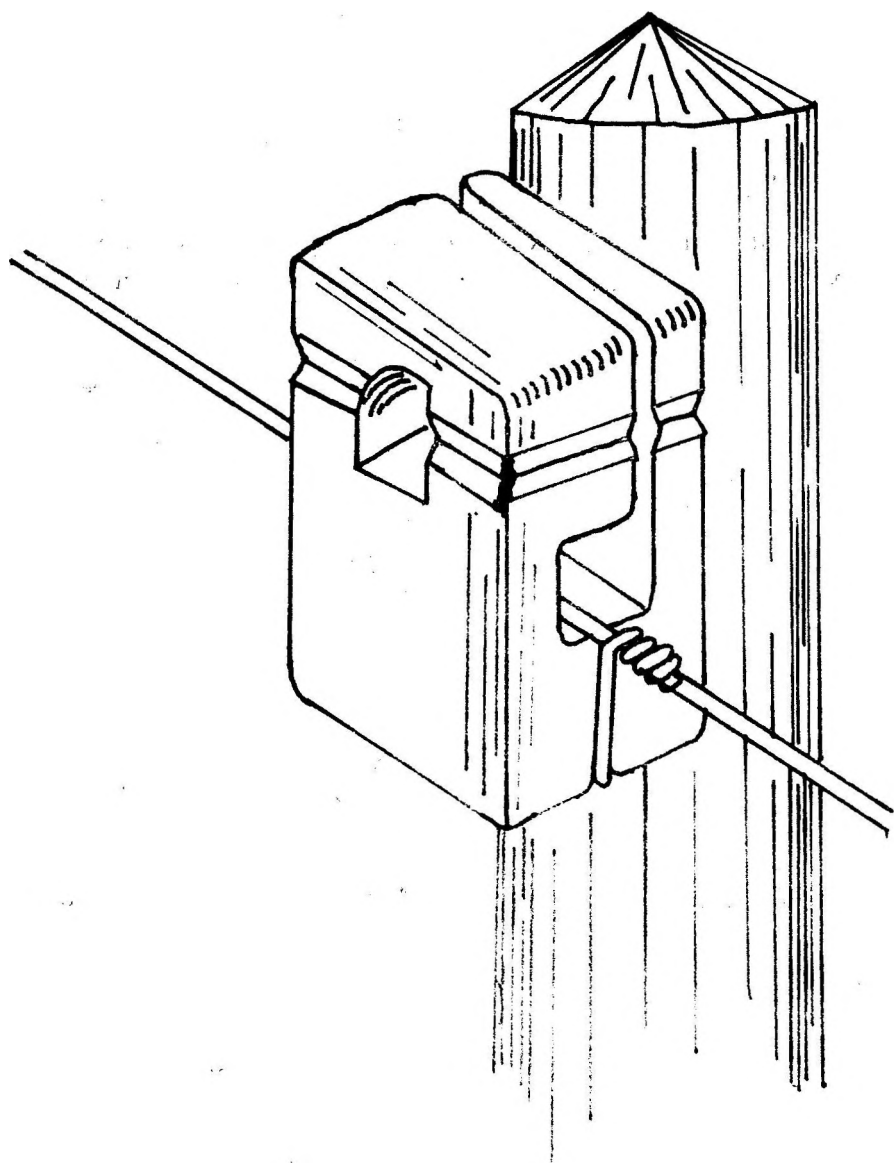
On January 16th, at Middletown, Conn., an insulator club known as the "Yankee Polecats Insulator Club" was officially formed. Up to that time approximately twenty insulator collectors were meeting every other month in local homes. In November, we had the pleasure of having as our guests, Mr. & Mrs. Millholland. We met at the American Legion Hall in Cromwell, Conn. It was at that time we realized that we could open our meetings to any collectors who would like to join. Therefore, at our January meeting, nominations and election of officers took place, and also on the agenda was a discussion of a name for our club. We shall now be known as "Yankee Polecats Insulator Club". The following is our slate of officers: President: Lester Harris; Vice President, Allen Ward; Vice President (N. Y. area) Bob Bretschneider; Vice President (Eastern Mass.) Phil Harding; Vice Pres. (Western Mass.) Gerald Kowalski; Secretary, Gert Wyer; Treasurer, Kathy Willinsky. We met at the American Legion Hall with 60 people attending. A decision was made to meet 4 times yearly, a different place each time, which would enable more people from different areas to join. Dues are \$2.00 per family per year, and a small fee at each meeting to defray expenses such as hall meeting place, and the contents for the coffee pot. (Bring your own lunch). Our next meeting will be held at Mendon, Mass. on April 16th at the American Legion Hall, on Rt. 16. Anyone interested in joining our club, contact any of the officers or the Secretary Gert Wyer, 29 Franklin Rd., Cromwell, Conn. 06416. If you wish to attend our meet at Mendon, please let us know in advance so enough tables can be set up.

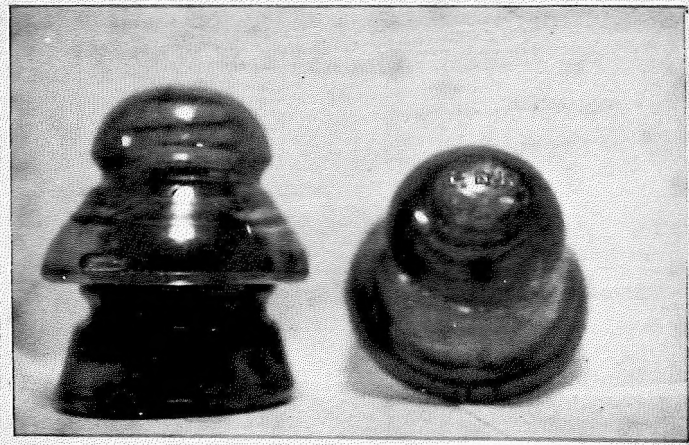
We'll be looking for you.....

We received the information on the preceding page from Mr. Bob Bretschneider of 154-14 35th Ave. Flushing, N. Y. 11354. If you are interested in joining the Yankee Polecats just drop Bob a line.

The following two sketches are patents issued to Charles L. Le Baron of Pensacola, Fla. on April 14, 1874, Nos. 149, 762 and 149, 763. They are both referred to as telegraph insulators. In my opinion both designs probably never went past the experimental stage as far as production is concerned. Of course, who knows. My sources of information don't state whether the insulators are made of glass, porcelain or what. Keep looking, you never know what you'll find or where.







CD 190/191 PRR Two piece tramp. dark green.
 Embossed (dome) P. R. R. , bottom embossed B.



CD 433
 Crown embossed
 Patent Dec. 19, 1871

CD 410
 Nat. Ins. Co.

CD 426
 W. E. Mfg. Co.

KNOW YOUR COLLECTOR

Harry Hallam, Upper Darby, Penna.

"Hank is the father of three children and teaches school for a living. He is one of the Philadelphia areas most enthusiastic collectors. He buys and sells bottles and insulators. The returns from these sales are put into his own collection. He attends all the insulator meets he can and he has a well beaten path between area shops and flea markets which he follows regularly. Hank has been collecting for about 4 years and he specializes in large glass power insulators, the smaller cable tops and lightning rod insulators.

The full view picture of Hank shows only his cable and power insulators. He also has a nice collection of signals and beehives.



Some close ups of Hank's collection.



Hemingray

Baby Manhattan

Wide Groove
Manhattan



Locke 16

Jumbo

7" Muncie type Hem.



M&E Philadelphia

Brookfield

ESS 401

Front: O. V. G. Co. Smooth Base.

Front: Postal. Smooth Base.

Front: Embossed five point star

Back: embossed five point star (all various sizes).

Base: The Standard Glass Insulator Co. Boston, Mass.

Front: T. H. E. Co. also T. C. R.

Front: W. G. M. Co. Smooth Base.

Embossed on inner skirt: Boston Bottle Works. Patent applied for. 4 segment threads.

Brookfield ARC embossed W. Brookfield 45 Cliff St. N. Y. Back: Various listing too numerous to mention them all.

Crown: W. Brookfield 83 Fulton St. N. Y.

Back: Crown ARC number Pat'd Nov. 17th 1883-Feb. 12th 1884. Smooth Base.

Front: W. Brookfield

Back: New York. Smooth Base.

Front: Brookfield. Crown numbers. Smooth Base.

Front: California. Smooth Base.

Front: C. N. R. Smooth Base.

Front: E. D. R. Smooth Base.

Skirt: E. R.

Crown: ARC W. Brookfield 45 Cliff St. N. Y.

Back: Crown Large number-Pat'd. Nov. 13, 1883-Feb. 12 1884. Smooth Base.

Front: G. N. W. Tel Co. Smooth Base.

Front: G. T. P. Tel. Co. Smooth Base.

This is one of the common types of insulator. Its nickname is Beehive. The most plentiful ones are Brookfields.

LIST OF EMBOSSINGS:

Front: B Drip points (some smooth base).

Front: B. Crown Number. Smooth base.

Front: B

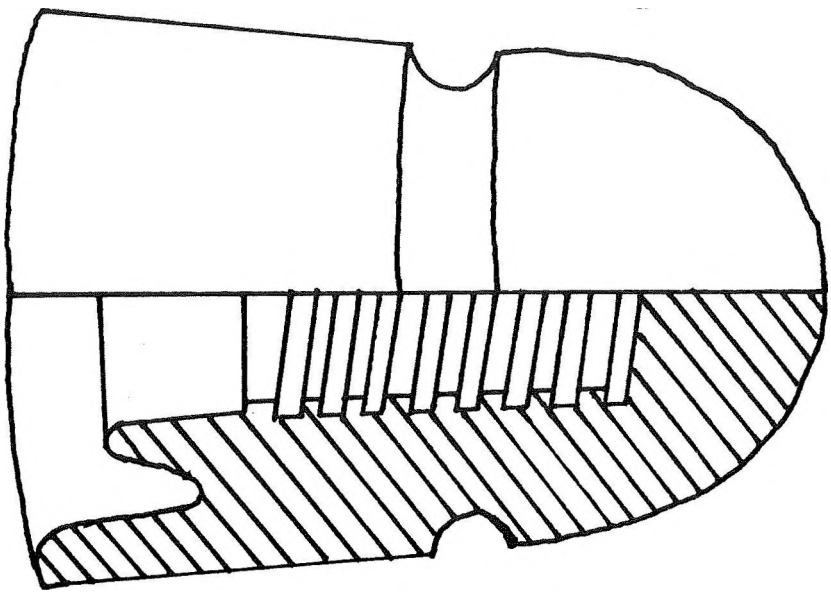
Back: No. 44. Smooth Base.

Crown: B. F. G. Co. July 25, 1865.
Smooth Base.

Crown: Lac's Pat. July 25, 1865

Skirt: B. F. G. Co. Smooth Base.

Front: B. G. M. Co. Smooth Base.



Front: G. T. P.

Back: Crown number. Smooth Base.

Front: Initials entwined Hawley, Pa. U. S. A. (some have "S" reversed) Smooth base.

Front: Hemingray

Back: 21 Drip Points.

Front: Hemingray 21. Numbers.

Back: Made in U. S. A. Numbers. Drip Points.

Front: H. G. Co. (some have K or L above H. G. Co.)

Back: Petticoat.

Crown: H

Skirt: H. G. Co.

Front: K. C. G. W. Smooth Base.

Front: Lynchburg. "L" within an oval.

Back: No. 43 Made in U. S. A. Crown some letters and numbers. Drip Points.

Front: N. E. G. M. Co. Smooth Base.

No name. No embossing.

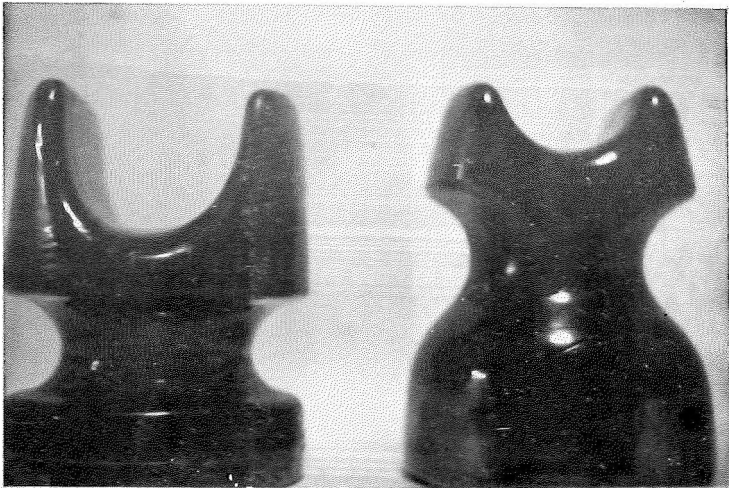
(Front: 7

Back: 7 Smooth Base.

MEET THE CABLE FAMILY

The following six insulators are from the cable family. At this time I don't know who manufactured them. The only embossing on any of them is the word CABLE with a number on some of them. Cables were used on low voltage 220 and 1200 volts with high amperage. Their main use was trolley and in plant service. The No. 2, 3, 4 denotes the circular mill area of the wire that they were designed to hold.

Note: all three helmets have a different size wire groove.



CD 267 No. 4

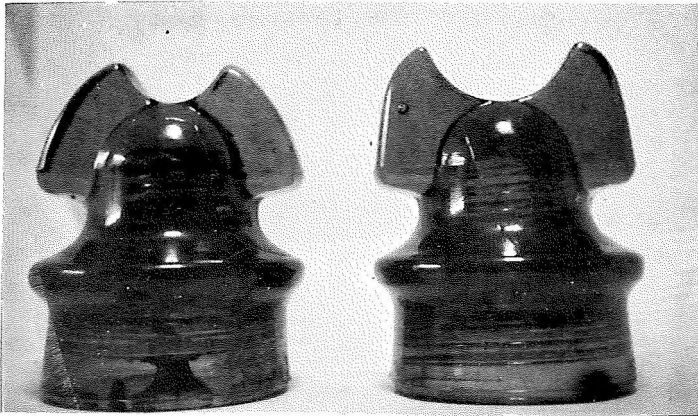
CD 254 No. 3

Both insulators are dark green and embossed CABLE.



CD 252
dark green
embossed: No. 2 CABLE

CD 259 No. 2
aqua
embossed: CABLE



CD 259 No. 2 CD 261 No. 3
Both insulators are dark green and embossed,
CABLE. Notice the wire groove on both CD 259's.
The aqua one is smaller than the green one.

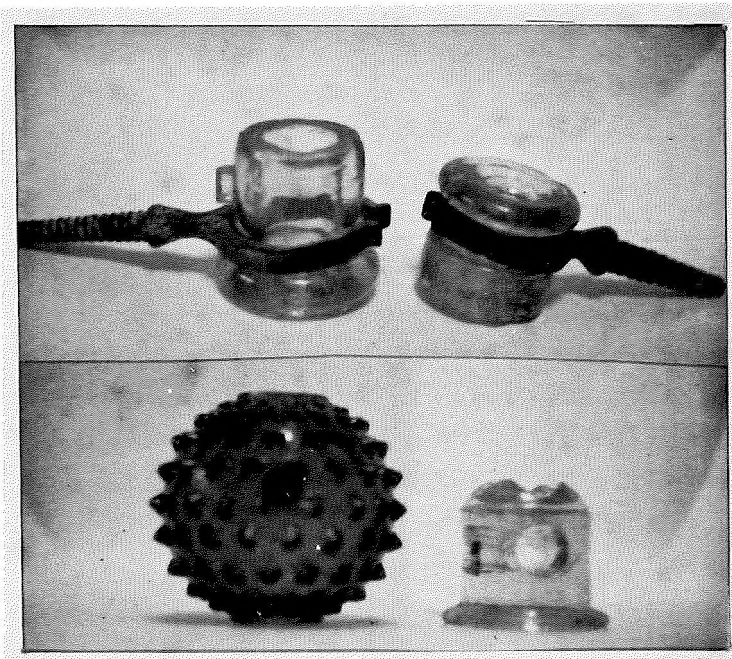
LIGHTNING RODS

A common trait of the human mind is the less he knows about a phenomenon the more fearful he is of it.

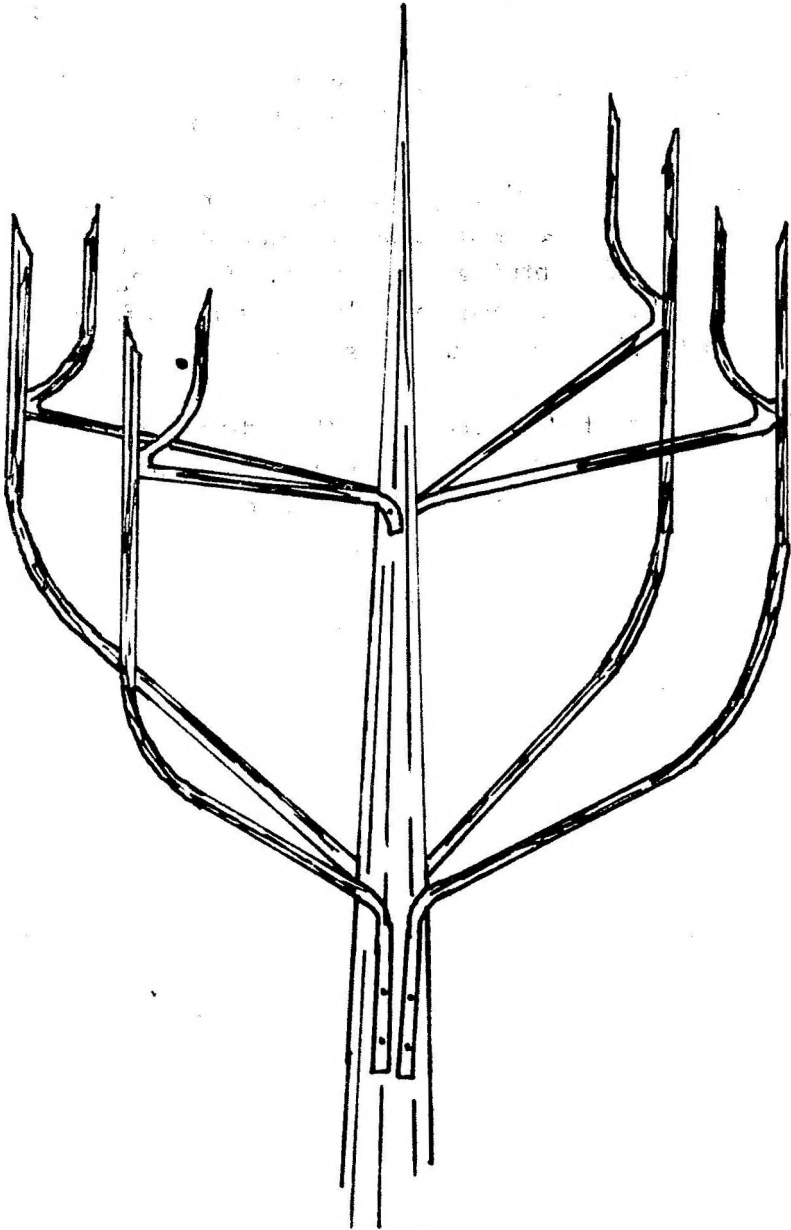
In the late 1700 and 1800, everyone was in the market for lightning protection. Little did they realize that an improperly placed and improperly designed lightning rod actually attracted instead of protected.

Because of the lack of good meters and measuring devices, no one was aware of the enormous potential that a bolt of lightning possessed. Looking back on some of the old lightning rods and stand off insulators, we can laugh at their uselessness.

The pictures below are from the editors collection. All the stand off insulators are aqua with no embossing. The hobnailed witches-ball is a cobalt blue.



This sketch is of a lightning rod patent issued in 1875 to John A. Kleckner of Canton, Ohio, with our modern day technology we can realize the folly of this design.



MARKET NEWS

Private Issue of CD 262

Mr. L. S. Veneziano of River Grove, Illinois, is producing a No. 2 Columbia in 7 up and lime green. These insulators are threadless and made with a 5 piece mold. They are embossed on the front exactly like the No. 2 Columbia, but the back is embossed L. S. V. This "private issue" is currently selling for \$20.00 a piece. Mr. Veneziano does not intend for these insulators to be passed as repos. To prevent them from being passed as originals, he has made them threadless and embossed the L. S. V. on the back.

Some Current Going Prices of Insulators

Manufacturer	CD	Condition	Color	Prices
Western New York Area				
Hemingray	214	mint	7 up	6.00
California	154	mint	green	5.00
Pyrex	234	mint	carnival	8.50
New Jersey				
Gayner	153	mint	aqua	10.00
Good	134	mint	aqua	10.00
Whitall	272	mint	amber	8.00
Pyrex	334	mint	straw	6.00
Maydell	164	mint	milk	10.00
Lynchburg	106	mint	aqua	3.00

ADVERTISING RATES are as follows:

Display ads:

1/4 page - \$5.00 per issue
*\$12.00 per three issues

1/2 page - \$10.00 per issue
*\$25.00 per three issues

Full page - \$18.00 per issue
*\$45.00 per three issues

Classified Advertising:

\$.05 per word (minimum \$1.00). The closing date for material will be the 10th of the month preceding the month of the issue.

Ads received too late for the deadline will be run in the next issue.

We accept no responsibility for errors except to reprint the incorrect portion of the ad in a later edition. We will do our best to make sure all advertisers are reliable but cannot be held responsible for the validity of their copy nor for their performance.

Send black and white prints or copies as they will reproduce with more satisfactory results. All material will be returned to the sender if specified, all other material becomes the property of CROSS ARMS.

*This is a slight change from our original price list.

LETTERS TO THE EDITOR

Dear Jim:

Much success to you on your new publication of CROSS ARMS. I hope from time to time I can help you with a few notes from Millville and the only glass plant left in America making glass insulators.

The Kerr glass plant here (formerly Armstrong & Whitall Tatum) has just finished running two new insulators with the KERR name on the mold. The #2 and the T. S. This makes a total of four KERRS. T. W. was first, then the C. S. C. and now the #2 and T. S. They have run DP-1 #9 and 51CL but continue to use Armstrong molds for these. The insulator machine does not operate too often.

I'll be looking forward to the first copy.

Sincerely, Don Wentzel

Thanks, Don, for the information and keep the letters coming.

Dear Mr. Garrity,

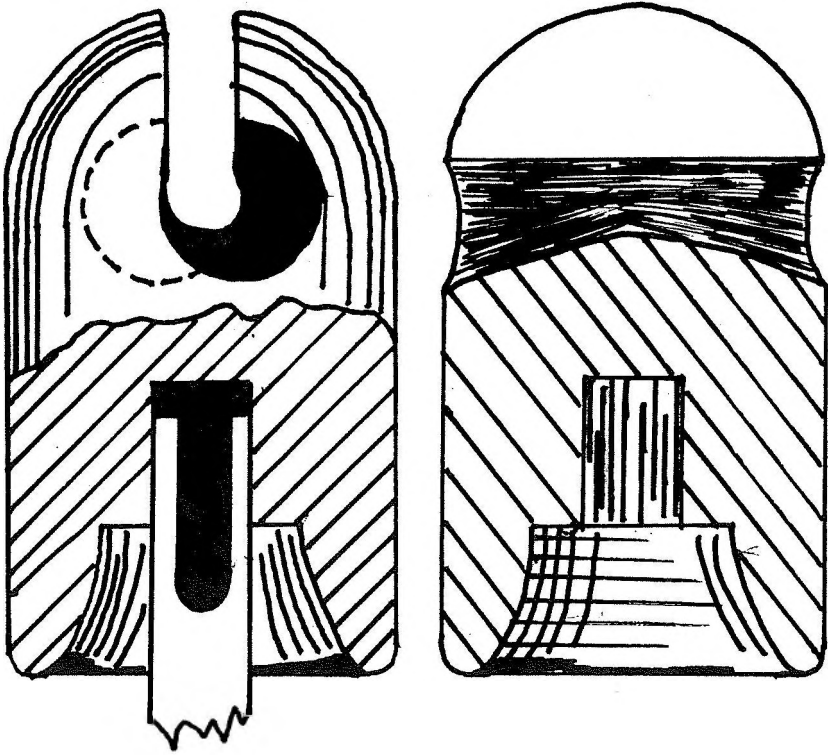
I received my first issue of "Cross Arms" on Monday the 31st. If the prompt mailing of this first issue is indicative of future policy you should gain many subscriptions on that fact alone. I was very surprised to see how well the first issue was organized. I am sure through further experience and future issues "Cross Arms" will become another by-word in the insulator collectors vocabulary.

Enclosed please find a check for \$5.00 to pay for one year's subscription to your new magazine.

May I be one of those wishing you much success in this endeavor.

Yours, Fred L. Garner

"THE BARON"



While doing some research we came across the following patent drawing. Needless to say the "Baron" would be a real find.

Pat. 154,258 Telegraph-insulator-issued to Charles L. Le Baron, Pensacola, Fla. Patented Aug. 18, 1874- Patent was filed for June 11, 1874. An insulator held on spike by the spring of the split arms b'b' of spike.

The combination with an insulator having an inwardly-tapering central and bottom hole, a³ of an angle-spike having the elastic prongs b'b' on the short arm, as and for the purpose set forth.

CLASSIFIED ADS

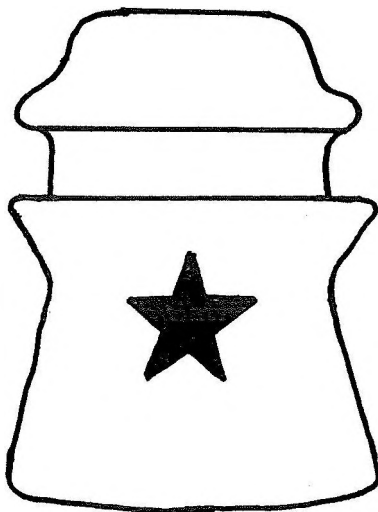
FOR SALE: mint or vnm unless stated. CD 190/91 PRR, aqua--\$150; CD131 threadless, aqua--\$95; CD 462 P.L.W., aqua--\$60; CD 254 #3 cable, aqua--\$35-chip on outer skirt--\$20; CD 168 Whitall Tatum #11 (sm. chip inner skirt)--\$30; CD 178 Santa Ana, aqua--\$20; CD 297 Locke #16, aqua--\$20; CD 120 Pat. Dec. 19, 1871, aqua--\$20; CD 121 U.S. Tel Co., deep green (chip on side)--\$15; CD 121 Duquesne, aqua--\$15; unembossed--\$5; CD 102 Hawley, aqua--\$12; CD 145 Dated E.R., aqua--\$8; CD 296 Locke #20, aqua--\$10-3 for \$25--unembossed #20 --\$5. Lists welcome. Postage & insurance extra. Ferd Huber, 385 Allendale Rd., King of Prussia, Penna. 19406.

CD #617 bell chambers, small chip on dome, \$325; Hemingray #43 cable, 7 up green, \$6.00; #63 Carnival deep color, \$7.00; CD 143 Whitycombe, vertical ridges base and dome, lime green, \$20.00; C.P.R. Whitycombe (M.D.), \$20.00; 4 segment Boston Bottle (M.D.) \$160.00; Lowex D-512, amber, \$7.00; CD 731 no name threadless like L.G.T. (M.D.), \$125.00; City fire alarm CD 133, \$70.00; Am. Tel & Tel pilgrim hat, CD 460 (M.D.), \$75.00; Hem. #95 mine insulator CD 185, Chicago blue, \$50.00, SASE complete list. Brad & Nancy Cook, 507 Ridge Road, Ludlowville, N.Y. 14862.

Will buy good threadless insulators. Also want rare, unusual colors of helmets, Mickey Mouse types. Have variety of better to rare insulators to sell--none common. S. A. S. E. for reply to Russell Sprague, 8800 Greens Lane, Randallstown, Md., 21133.

FREE
PUBLICATION

THE INSULATOR
SOCIETY OF AMERICA
INVITES YOU TO
KNOW MORE ABOUT
THE HOBBY OF
INSULATOR COLLECTING



SEND NAME AND ADDRESS FOR FREE INFORMATION
ON THIS VAST GROWING HOBBY

Insulator Society of America
P. O. Box 622
Manasquan, N. J. 08736

FOR SALE: mint or vnm unless stated. CD 156 postal telegraph co. base embossed (sm. chip on inner skirt), aqua, \$45; CD 252 Knowles #2 cable dated with prism (aqua) \$26; CD 259 Cable helmet (aqua) \$15; CD 175 Hemingray #25 (clear & lt. aqua) \$15; CD 188 (aqua) \$12; CD 234 Pyrex (carnival) \$10; CD 235 Pyrex (carnival) \$10; CD 202 Locke #14 (aqua) (inner skirt chip) \$10; CD 252 Hemingray 62 (aqua) \$8; CD 219 Hemingray-Lowex #660 (amber) \$12; CD 190/91 embossed B (aqua) \$12; CD 190/91 Hemingray #50 (aqua) \$10; CD 121 C. D. & P. Tel Co. (aqua) \$4; CD 121 crown embossed Am. Tel & Tel Co. (aqua) \$8; postage & ins. extra. Lists welcome. Edward Szymala, 217 Spruce St., Cresson, Pa. 16630.

**CROSS
ARMS**

367 Signal Hill Road
King of Prussia, Pa.
19406

RETURN POSTAGE GUARANTEED